



ABB8700SG
AOF8700SG
ASF8700SG



Metal Man Work Gear Co.
1750 Prospect Ct #106
Appleton, WI 54914
888-762-4045
www.metalmangear.com
email: support@metalmangear.com
MADE IN CHINA

***Auto Darkening
Welding Helmet***



Professional Quality Welding Helmet

SAFETY WARNINGS - READ BEFORE USING



WARNING
Read & Understand All Instructions Before Using



Auto-Darkening welding helmets are designed to protect the eye and face from sparks, spatter and harmful radiation under normal welding conditions. Auto-Darkening filter automatically changes from a light state to a dark state when an arc is struck, and it returns to the light state when welding stops.

Auto-Darkening welding helmets comes ready for use. The only thing you need to do before your welding is to adjust the position of the headband and select the correct shade number for your application.



WARNING



- This Auto-Darkening welding helmet is not suitable for laser welding and oxyacetylene welding / cutting processes.
- Never place this helmet and Auto-Darkening filter on a hot surface.
- Never open or tamper with the Auto-Darkening filter.
- This Auto-Darkening welding helmet will not protect against severe impact hazards, including grinding discs.
- This helmet will not protect against explosive devices or corrosive liquids.
- Don't make any modifications to either the filter or helmet, unless specified in this manual. Don't use replacement parts any other than those specified in this manual. Unauthorized modifications and replacement parts will void the warranty and expose the operator to the risk of personal injury.
- Should this helmet not darken upon striking an arc, stop welding immediately and contact your supervisor or your dealer.
- Don't immerse the filter in water.
- Don't use any solvents on the filter screen or helmet components.
- Use only at temperatures: -10° C ~ +55° C (14°F ~ 131°F)
- Storing temperature: -20° C ~ +70° C (-4°F ~ 158°F)
- Protect filter from contacting with liquid and dirt.
- Clean the filter surface regularly; don't use strong cleaning solutions. Always keep the sensors and solar cells clean using a clean lint-free tissue.
- Regularly replace the cracked / scratched / pitted front cover lens.
- The materials which may come into contact with the wearers skin, can cause allergic reactions in some circumstances.



WARNING

Severe personal injury could occur if the user fails to follow the above mentioned warnings, and/or fails to follow the operating instructions.



COMMON PROBLEMS AND REMEDIES

• Irregular Darkening Dimming

Headband has been set unevenly and there is an uneven distance from the eyes to the filter lens. (Reset the headband to reduce the difference to the filter).

• Auto-Darkening filter does not darken or flickers

- ① Front cover lens is soiled or damaged. (Change the cover lens).
- ② Sensors are soiled. (Clean the sensors surface).
- ③ Welding current is too low. (Reset the sensitivity level to "higher" side).

• Slow response

Operating temperature is too low. (Do not use at temperatures below -10° C or 14° F)

• Poor vision

- ① Front/inside cover lens and/or the filter is soiled. (Change lens).
- ② There is insufficient ambient light.
- ③ Shade number is incorrectly set. (Reset the shade number).

• Welding helmet slips

Headband is not properly adjusted. (Readjust the headband).



WARNING

The user must stop using the auto-darkening welding helmet immediately if the above-mentioned problems cannot be corrected. Contact the dealer.



INSTRUCTIONS FOR USE

WARNING! Before using the helmet for welding, ensure that you have read and understood the safety instructions.

- The helmet comes ready assembled, but before it can be used it must be adjusted to fit the user properly and set up for delay time, sensitivity and shade level.

• ADJUSTING THE FIT OF THE HELMET

The overall circumference of the headband can be made larger or smaller by rotating the knob on the back of the headband. (See adjustment "Y" in fig.1). This can be done while wearing the helmet and allows just the right tension to be set to keep the helmet firmly on the head without it being too tight.

- If the headband is riding too high or too low on your head, adjust the strap which passes over the top of your head. To do this release the end of the band by pushing the locking pin out of the hole in the band. Slide the two portions of the band to a greater or lesser width as required and push the locking pin through the nearest hole. (See adjustment "W" in fig. 1).
 - Test the fit of the headband by lifting up and closing down the helmet a few times while wearing it. If the headband moves while tilting, re-adjust it until it is stable.

• ADJUSTING THE DISTANCE BETWEEN THE HELMET AND THE FACE

Step 1: Undo the nut (See "T" in fig. 1) to adjust the distance between the helmet and your face in the down position.

Step 2: Loosen the nut on either side of the helmet and slide it nearer or further from your face. (See adjustment "Z" in fig.1). It is important that your eyes are each the same distance from the lens. Otherwise the darkening effect may appear uneven.

Step 3: Re-tighten the nut when adjustment is complete.



fig.2



fig.3a



fig.3b

• ADJUSTING VIEW ANGLE POSITION

Please see fig.2

• SELECTING SHADE LEVEL

Select the shade level you require according to the welding process you will use by referring to the "Shade Guide Table" below for settings. Turn the shade control knob on the side of the helmet to the shade number required.

• SELECTING DELAY TIME

When welding ceases the viewing window automatically changes from dark back to light but with a pre-set delay to compensate for any bright afterglow on the workplace. The delay time/response can be set to "fast" (0,1 sek) or "slow" (1,0 sek) as you require using the infinitely dial knob on the back of the shade cartridge. (See fig. 3a).

• SENSITIVITY

The sensitivity can be set to "high" or "low" using the infinitely dial knob on the back of the shade cartridge. The "Mid-High" setting is the normal setting for everyday use. Where the operation of the helmet is disturbed by excess ambient light, or another welding machine close by, use the "low" setting. (See fig. 3b).

• SELECTING THE GRIND OPTION

When the shade knob is turned to the "grind" position the shade function is turned off allowing a clear view to grind a weld with the helmet providing face protection. Ensure that the shade function is turned back on before welding again.(See fig.4)

• You are now ready to use the helmet. The shading may be adjusted during use by re-setting potentiometer control.

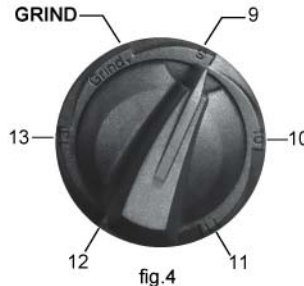


fig.4

MAINTENANCE

• **REPLACE THE FRONT COVER LENS.** Replace the front cover lens if it is damaged (cracked,scratched,dirty or pitted) Place your finger or thumb into the recess at the bottom edge of the window and flex the window upwards until it releases from one edge.(See fig.4)

• **REPLACE THE INNER COVER LENS.**If it is damaged (cracked,scratched,dirty or pitted).

• **CHANGING THE SHADE CARTRIDGE.**(See figs.5a & 5b)

• **INSTALLING NEW CARTRIDGE.**Take the new shade cartridge and pass the potentiometer cable under the wire loop before placing the cartridge into its retaining frame inside the helmet. Press down the wire loop clip and ensure that the front edge of the loop is properly retained under the retaining lugs as shown in fig.5b.

• Magnifying lens is held in place by wire clip.

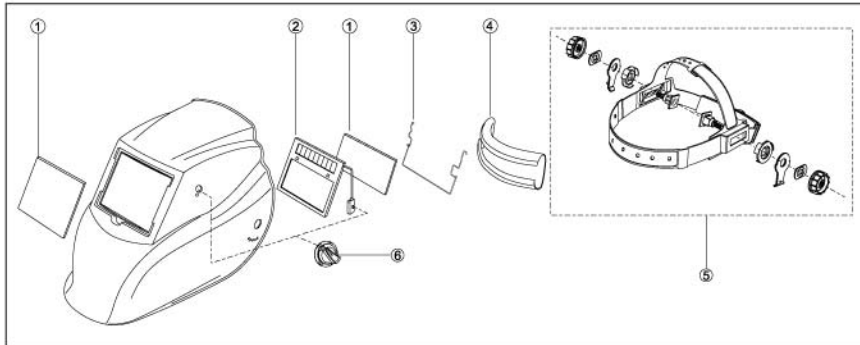
• **Fasten the potentiometer to the inside of the helmet with the shaft protruding through the hole.** Push the shade control knob onto the shaft.

• **CLEANING.**Clean helmet by wiping with a soft cloth. Clean cartridge surfaces regularly. Do not use strong cleaning solutions.Clean sensors and solar cells with methylated spirit and a clean cloth and wipe dry with a lint-free cloth.

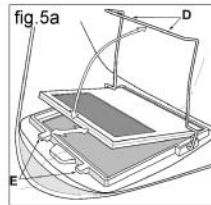
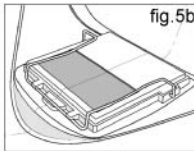
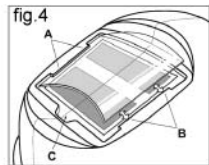
TECHNICAL SPECIFICATIONS

Viewing Area:	97x47.5mm (3.82"x1.85")
Cartridge Size:	110x90x9mm (4.33"x3.54"x0.35")
Arc Sensor:	2
Light State:	DIN 3.5
Shade:	DIN 9 to 13
Shade Control:	External, Variable Shade
Power On/Off:	Fully Automatic
Sensitivity Control:	Adjustable by dial knob
UV/IR Protection:	Up to Shade DIN16 at all times
Power Supply:	Solar cell. No battery change required
Switching Time:	1/25,000 s. from Light to Dark
Dark to Light	0.1 ~ 1.0s by dial control knob
Low Amperage TIG Rated:	5 amps
Grinding:	Yes
Operating Temp.:	-10°C ~ +55°C (14°F ~ 131°F)
Storing Temp.:	-20°C ~ +70°C (-4°F ~ 158°F)
Total Weight:	1.10 Lbs
Application range:	All arc welding TIG (Excellent lower amperage TIG response)
Standard Approval:	ANSI Z87.1-2003 / CSA Z94.3

PARTS LIST & ASSEMBLY



Reference Number	Description	Part No.
1	Lens kit (4 front and 2 inside Cover Lenses) (2 front / 1 inside Lens Covers)	MLK8185-4/1 MLK8185-2/1
2	Replacement lens	MRL87G
3	Retaining wire	MRW8
4	Sweat band	MSB8
5	Headgear	MHG8
6	Shade control knob	MSC87



SHADE GUIDE TABLE

(No.1)

Welding Process	ARC CURRENT (Amperes)																								
	0.5	2.5	10	20	40	80	125	175	225	275	350	450	1	5	15	30	60	100	150	200	250	300	400	500	
SMAW																									
MIG (heavy)																									
MIG (light)																									
TIG, GTAW																									
MAG/CO ₂																									
SAW																									
PAC																									
PAW																									

NOTE:

SMAW – Shielded Metal Arc Welding	MIG (Heavy) – MIG on Heavy Metals
TIG, GTAW – Gas Tungsten Arc Welding	PAW – Plasma Arc Welding
PAC – Plasma Arc Cutting	MAG/CO ₂ - Metal Active Gas
SAW – Shielded Semi-Automatic Arc Welding	MIG (Light) – MIG on Light Alloys