

METAL MAN[®]

WORK GEAR

Heavy Duty Side Access Deluxe Welding Cabinet

Item#:DWC3

OPERATOR'S MANUAL



Read carefully and understand RULES FOR SAFE OPERATION and instructions before operating. Failure to follow the safety rules and other basic safety precautions may result in serious personal injury.

Please read and save these instructions. Read through this owner's manual carefully before using product. Protect yourself and others by observing all safety information, warnings, and cautions. Failure to comply with instructions could result in personal injury and/or damage to product or property. Please retain instructions for future reference.

Heavy Duty Side Access Deluxe Welding Cabinet

Description

The Heavy Duty Side Access Welding cabinet provides an integrated all-in-one solution for portable welder or plasma cutting applications. It is designed for the welder or plasma cutter to sit on top of the cabinet. It includes 2 drawers for plenty of space for all your welding related tools and consumables. It also includes two cabinet doors for storing those larger items such as welding helmets, wire spools, or protective gear.. Both drawers and the cabinet doors are lockable for extra security. The top shelf is 15-1/2" inches wide and 26-1/2" inches deep and is 33 inches from the floor. This puts the machine controls at a comfortable operating height. The cabinet is nicely accented with aluminum drawer and cabinet door handles. A 19 inch wide base, 8 inch rear wheels and locking front casters make this cart stable and easy to maneuver. With this Heavy Duty capacity, you can store up to 10 inch diameter bottles in the cylinder rack and have a maximum load capacity of 260 lbs.



Specifications

Description	Specifications
Product Dimension	38.3" X 18.7" X 33.5"
Packing dimension	30" X 18.9" X 31.9"
Weight	91Lbs
Loading capacity	260 Lbs

Removing from carton

- 1.1. Remove cart pieces from carton, bags or Styrofoam.
- 1.2. Check the contents with parts list on page 3.

Heavy Duty Side Access Deluxe Welding Cabinet

Assembly

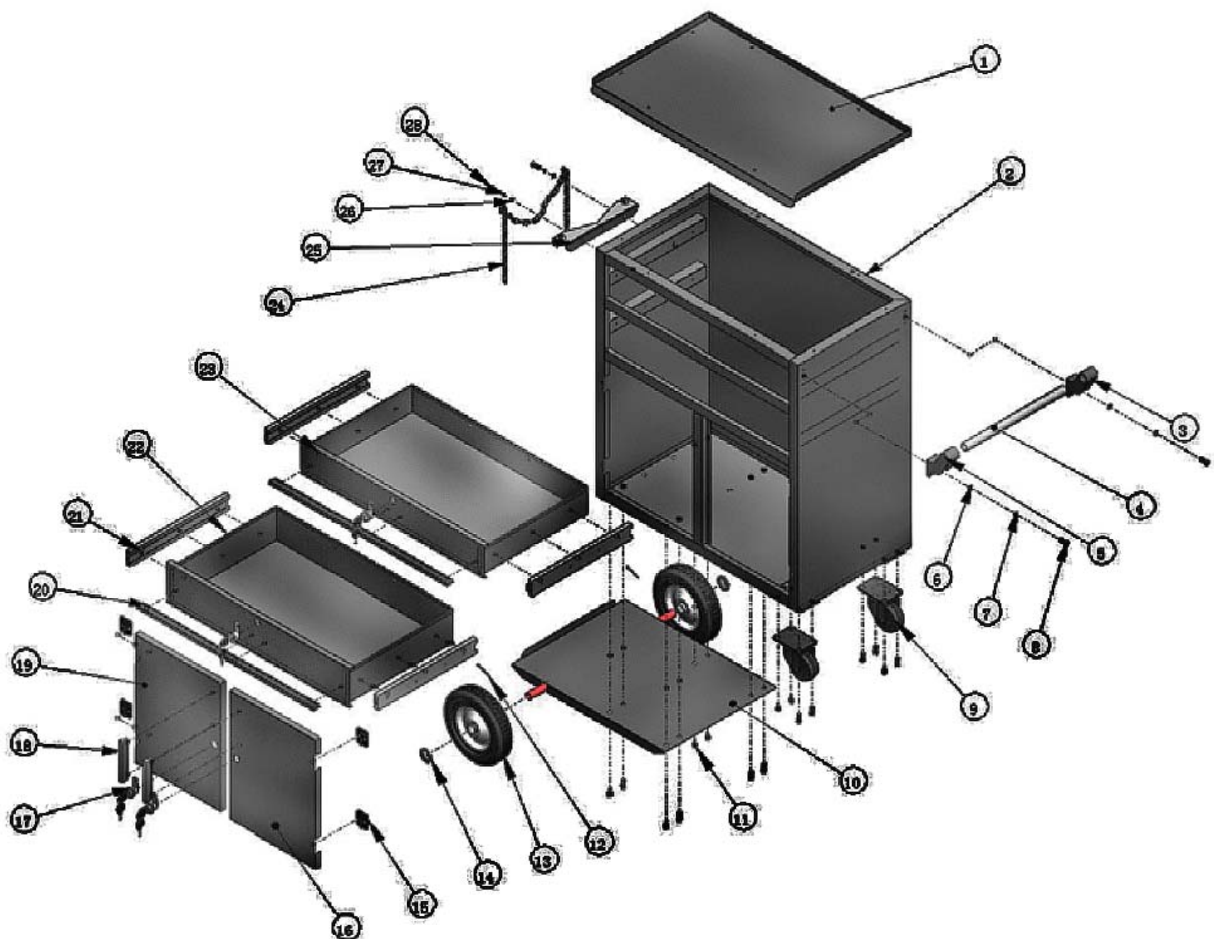
See parts list for descriptions, pages 3.

- 1) Remove the packing carton, remove the foam from both sides.
- 2) Remove the accessories from the drawer and then close it.
- 3) Put the tool box on the foam and begin to assemble:
 - a. Locking casters
 - b. Bottom plate
 - c. Axle
 - d. Wheels (Set up the tool box and lock the casters)
 - e. Handle
 - f. Gas bottle rack

Operation

1. The cart should be placed on a flat surface to prevent the cart from moving during assembly.
2. Do not remove parts from the cart while it is moving.

Repair Parts List



Heavy Duty Side Access Deluxe Welding Cabinet

Reference number	Description	Part number	Qty
1	Top panel	1.1.02.01.2019	1
2	Frame	1.1.02.01.2016	1
3	Right supporter	8HG.120.004	1
4	Handle	1.1.01.05.2268	1
5	Left supporter	8HG.120.003	1
6	Washer	2.06.17.018	18
7	Spring washer	2.06.18.017	18
8	Hexagon screw	2.06.10.063	2
9	Caster PVC wheel	2.05.07.321	2
10	Gas cylinder holder	1.1.02.01.2020	1
11	Hex bolt	2.06.01.935	16
12	Pin	2.06.21.008	2
13	Rubber wheel	2.05.07.102	2
14	Washer	2.06.17.010	2
15	Plastic hinge	2.05.05.064	4
16	Left door	1.1.02.01.2017	1
17	Lock with key	2.08.07.989	4
18	Short handle	2.02.15.016	2
19	Right door	1.1.02.01.2018	1
20	Long handle	2.02.15.015	4
21	Drawer slide	2.08.07.988	4

Heavy Duty Side Access Deluxe Welding Cabinet

22	Large drawer	1.1.02.01.2021	1
23	Small drawer	1.1.02.01.2022	1
24	Chain	2.01.29.021	2*0.7m
25	Gas Rack	1.1.01.04.0304	1
26	Washer	2.06.17.017	10
27	Spring washer	2.06.18.016	10
28	Hex bolt	2.06.01.935	10