

# **METAL MAN<sup>®</sup>**

## **WORK GEAR**

### **Deluxe Welding Tool Chest**

Item# 9002210

### **OPERATOR'S MANUAL**



**Read carefully and understand RULES FOR SAFE OPERATION and instructions before operating. Failure to follow the safety rules and other basic safety precautions may result in serious personal injury.**

*Please read and save these instructions. Read through this owner's manual carefully before using product. Protect yourself and others by observing all safety information, warnings, and cautions. Failure to comply with instructions could result in personal injury and/or damage to product or property. Please retain instructions for future reference.*

## Dual bottle cabinet

### Description

The twin bottle welding cabinet provides an integrated all-in-one solution for a portable welder or plasma cutter. The dual cylinder capabilities helps keep all your welding and cutting accessories in one place. This welding cabinet is designed for the welder to sit on top of the large 35" x 20" platform. The cylinder rack accommodates two 6-1/2 inch diameter cylinders. This cabinet has four drawers for all your parts and accessories. The drawers are 15-1/2 inches wide and 14 inches deep. The top drawer is 2 inches high and has dividers to help organize your small parts such as contact tips, nozzles, diffusers and other small parts. The middle two drawers are 3 inches high and designed to handle your tools such as pliers and clamps along with space for extra spools of wire. The bottom drawer is 9-3/4 inches high and is a perfect place for your welding helmet and jacket. The cabinet door opens up revealing three adjustable shelves for even more storage space. A total of three cable holders help organize accessories such as cables and guns. This cabinet comes with large wheels and locking casters for easy maneuverability.



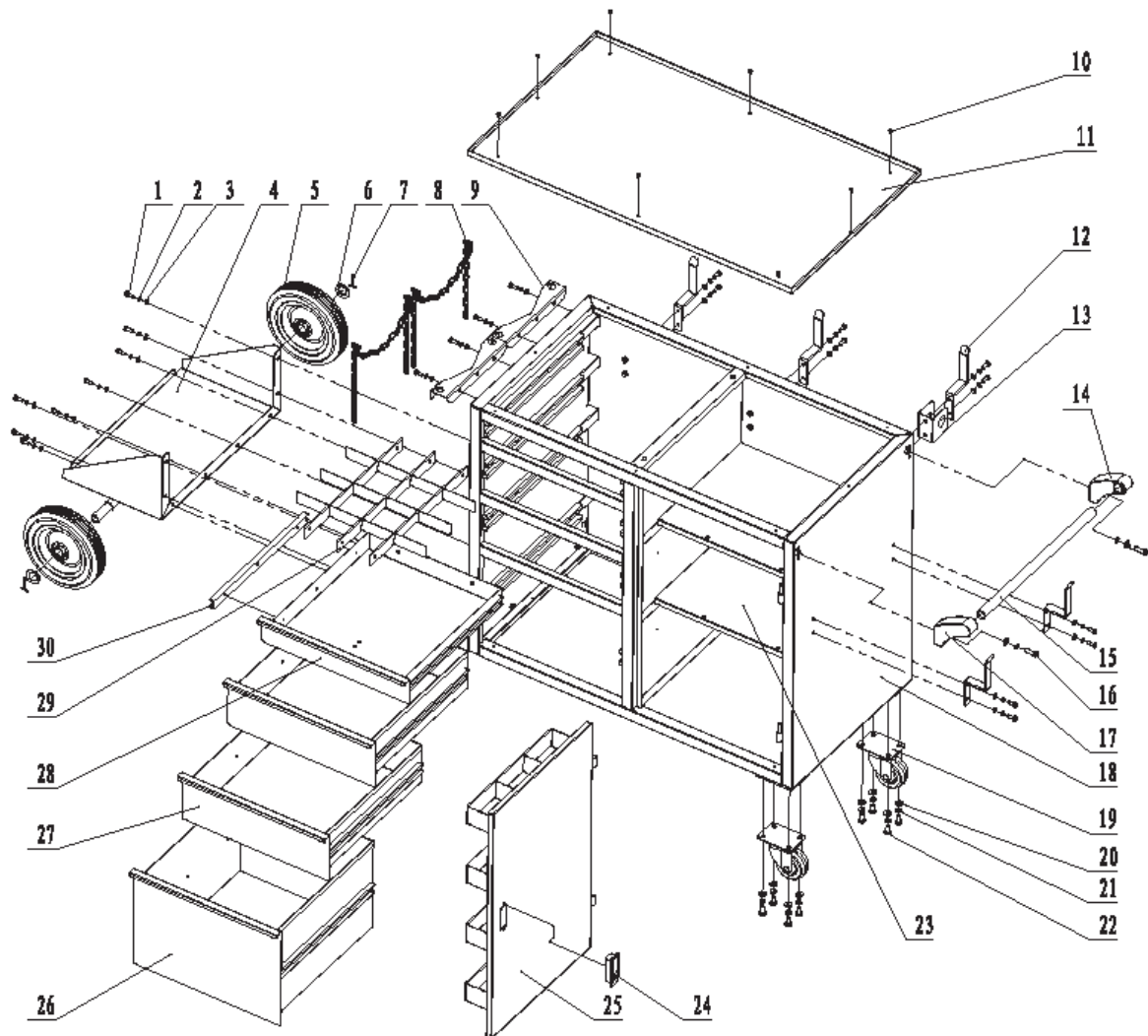
### Specifications

Packing Dimension (LxWXH) inch	38.6X23.6X31.5
Product Dimension (LxWXH) inch	48.9X24.4X33.3
Packing weight	145lbs
Loading capacity lbs	300lbs

### Assembly

- 1.1 .Remove cart pieces from carton, bags or Styrofoam.
- 1.2. Check the contents with parts list to make sure every component is inside
- 1.3 Take all the parts out of the cabinet
- 1.4 Lay down the cabinet to install the caster, wheels and cylinder holder
- 1.5 Stand up the cabinet and lock the castor to prevent the moving of the cabinet
- 1.6 Install the bracket and chain
- 1.7 Install the U hanger and torch holder
- 1.8 Install the handle
- 1.9 Open the door of the cabinet to put the tire inside of the cabinet
- 1.10 The assembly is finished

## Dual bottle welding cabinet



### Spare Parts List

Reference number	Description	Part number	Qty
1	Hex bolt M6*16	2.06.01.922	22
2	Spring washer 6	2.06.18.016	22
3	Lock washer 6	2.06.17.017	22
4	Gas cylinder holder	1.1.02.01.8136	1
5	Wheel $\phi$ 200	2.05.07.102	2
6	Lock washer 20	2.06.17.010	2
7	Pin 3.2*32	2.06.21.008	2

Dual bottle welding cabinet

---

8	Chain $\phi$ 3*0.7M	2.01.29.021	2
9	Gas cylinder bracket	1.1.01.04.0304	2
10	Bolt ST4.2*9.5	2.06.03.505	8
11	Top Panel	1.1.01.01.0355	1
12	U hanger	1.1.02.01.1945	5
13	Torch Holder	1.1.02.01.8181	1
14	Right handle support	2.01.31.062	1
15	Handle	1.1.02.04.0217	1
16	Bolt M8*25	2.06.10.019	2
17	Left handle support	2.01.31.061	1
18	Frame	1.1.01.04.0394	1
19	Locking Castor	2.05.07.321	2
20	Washer 8	2.06.17.018	10
21	Spring washer 8	2.06.18.017	10
22	Bolt M8*16	2.06.01.935	8
23	Tier	1.1.02.01.8180	2
24	Door lock 603	2.08.07.066	1
25	Door	1.1.02.01.8141	1
26	Big drawer	1.1.02.01.8140	1
27	Medium drawer	1.1.02.01.8138	1
28	Small drawer	1.1.02.01.8139	1
29	Grid on the small drawer	1.1.02.01.8135	1
30	Sliding on drawer 16inch	2.08.07.111	4