

METAL MAN[®]

WORK GEAR

CART 31

Item# 9002142

OPERATOR'S MANUAL



Read carefully and understand RULES FOR SAFE OPERATION and instructions before operating. Failure to follow the safety rules and other basic safety precautions may result in serious personal injury.

Please read and save these instructions. Read through this owner's manual carefully before using product. Protect yourself and others by observing all safety information, warnings, and cautions. Failure to comply with instructions could result in personal injury and/or damage to product or property. Please retain instructions for future reference.

Economy cart

Description

The CART 31 Universal MIG cart is designed to hold all portable MIG welders, it can also be used for stick welders and plasma cutters. accessories, consumables and gas cylinder. Rear wheels and casters make it easy to move around. Slanted top shelf makes the weld controls accessible. Holds up to 7 1/2" diameter, 80 lb cylinder.



Specifications

Description	Specifications
Product Dimension	31.9" X 16.5" X 19.7"
Packing dimension	30.9" X 16.5" X 3.5"
Weight	25 Lbs
Loading capacity	110 Lbs

Removing from carton

- 1.1 .Remove cart pieces from carton, bags or Styrofoam.
- 1.2. Check the contents with parts list on page 3.

Assembly.

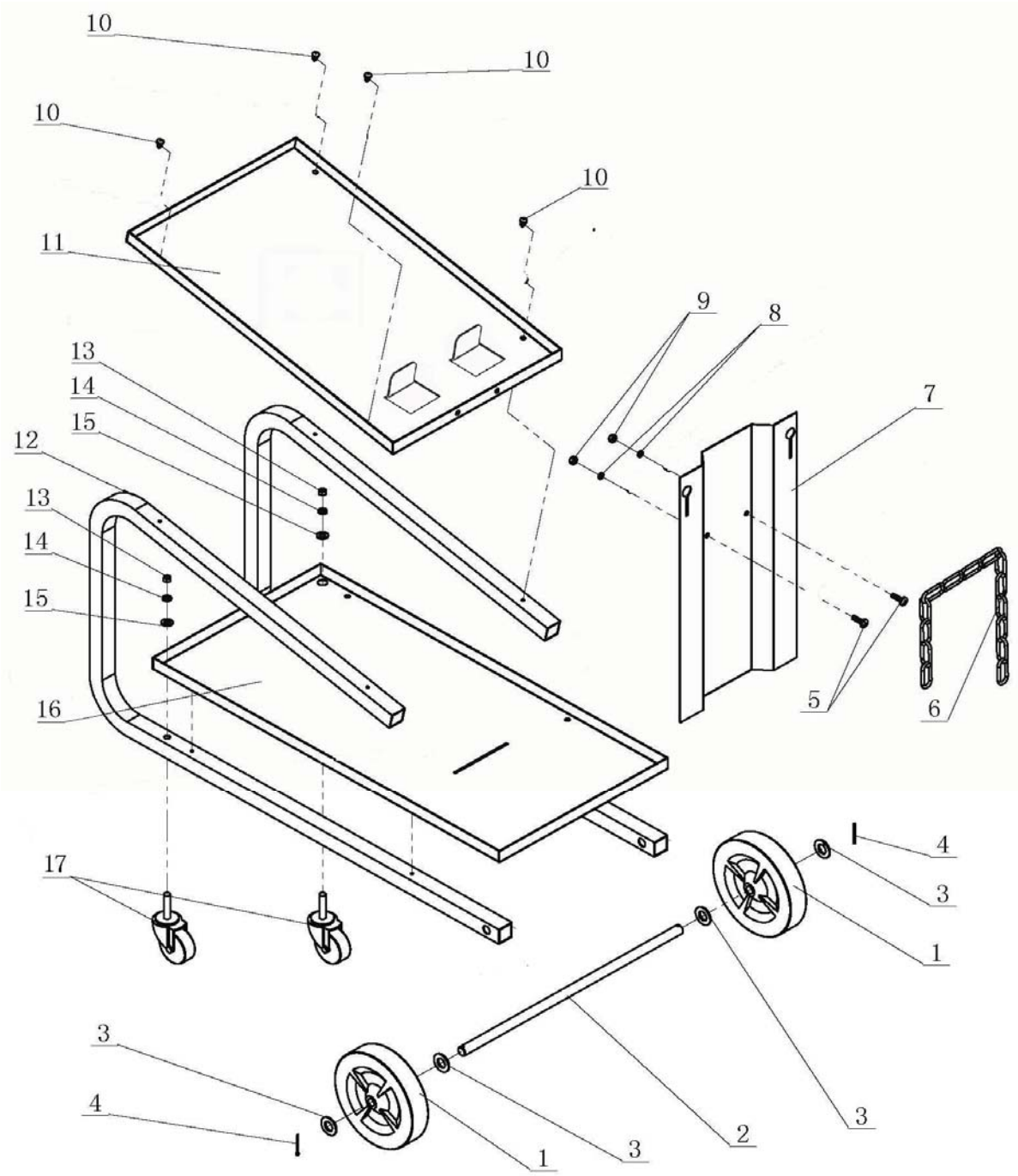
See parts list for descriptions, pages 3.

- 1) Assemble bottom shelf to frame using four self tapping screws.
- 2) Insert gas cylinder support into bottom shelf
- 3) Assemble top shelf to frame with four self tapping screws
- 4) Assemble top shelf to gas cylinder support with two bolts, lock washer and nuts.
- 5) Put axle through holes in frame and assemble wheels, washers and cotter pins.
- 6) Assemble front casters using flat washers, lock washers and hex nut
- 7) Insert chain into slots in the gas cylinder support. When cylinder is installed tighten chain snug around the cylinder.

Operation

1. This cart is designed to be used on a flat surface.

Economy cart



Economy cart

Repair Parts List

Reference number	Description	Part number	Qty
1	Rear rubber wheel*	2.05.07.107	2
2	Axle	5.02.01.014	1
3	Flat washer	2.06.17.007	4
4	Cotter pin	2.06.21.001	2
5	Pan head bolt	2.06.08.040	2
6	Gas bottle retaining chain	2.01.29.006	1
7	Gas cylinder support	1.14.400.02	1
8	Lock washer	2.06.18.004	2
9	Hex nut	2.06.14.004	2
10	Pan head self tapping screw	2.06.03.006	8
11	Top shelf	1.14.400.04	1
12	Frame	1.14.400.05	2
13	Hex nut	2.06.14.005	2
14	Spring washer	2.06.18.005	2
15	Plain washer	2.06.17.005	2
16	Bottom shelf	1.14.400.03	1
17	Front caster	2.05.07.106	2
