

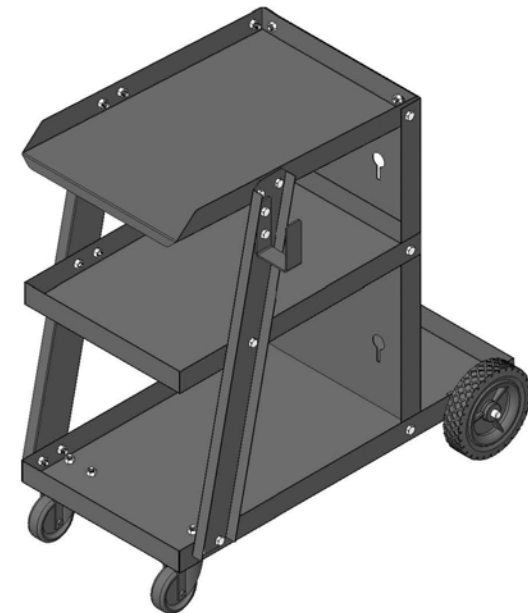
METAL MAN[®]

WORK GEAR

CART 11

Item#9002159

OPERATOR'S MANUAL



Read carefully and understand RULES FOR SAFE OPERATION and instructions before operating. Failure to follow the safety rules and other basic safety precautions may result in serious personal injury.

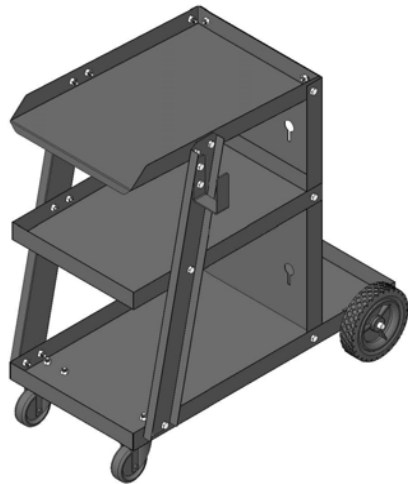
Manual

1. Product Description

The CART-11 is designed to hold the small MIG welder, welding tools, accessories, consumables and gas tank etc. Equipped with four rollers, it is very convenient to move. It is an ideal equipment to use in house, garden and garage, which make the welding work very convenient.

2. Specification

Model	Dimension L*W*H (mm)	Packing Dimension L*W*H (mm)	Weight kg/b	Loading capacity kg/b
CART-11	690*402*720	720*325*120	14/31	50/110



Outline Sketch of the Cart

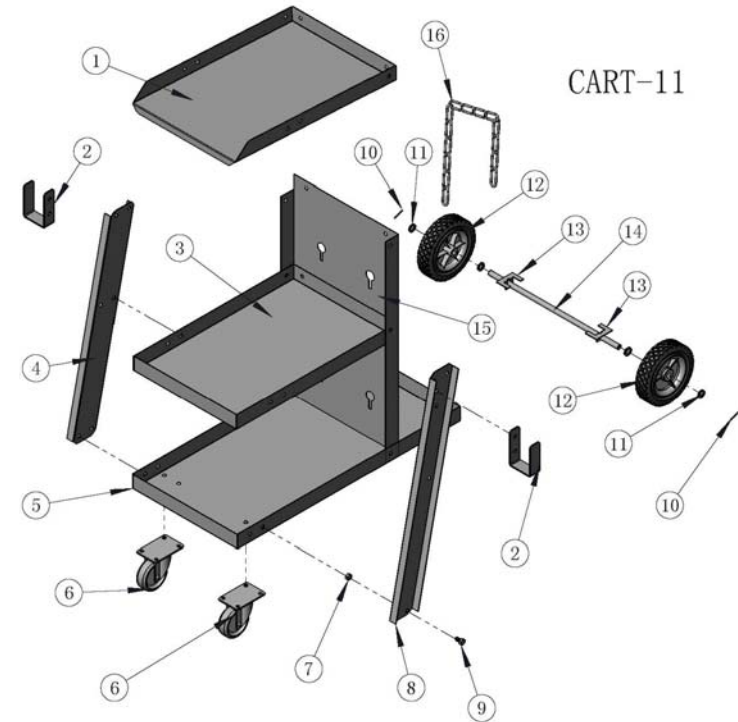
3. Attention

1. The cart should be placed in horizontal floor. In order to prevent the cart move automatically, it is not allowed to place the cart on declining surface.
2. It is not allowed to take the parts in/out of the cart when the cart is moving.

4. Installation

When leaving factory, the cart is packaged with disassembly. After you opening the package, please assemble the cart according to the following images:

Use the screws including in the package to install the cart. Firstly, fasten the screws not very tight. After all the screws are finished installing and then check the back panel is vertical with the bottom, screw down all the screws one by one.



No.	Description	Specification	Qty.
1	The first floor	CART-11.7	1
2	pothook	8HG.125.207	2
3	The second floor	CART-11.4	1
4	The left support	CART-11.5	1
5	Bottom	CART-11.1	1
6	The front roller	φ 63	2
7	Hex-nut	M6	34
8	The right support	CART-11.6	1
9	Hex-bolt	M6*10	34
10	Cotter pin	2.5*25	2
11	Flat Washer	φ 12	4
12	Rubber wheel	φ 150	2
13	Axle support	8HG.271.008	2
14	Axle	CART-11.2	1
15	Back panel	CART-11.3	1
16	Iron chain	4mm*0.8m	2