

METAL MAN[®]

WORK GEAR

ECONOMY CABINET WITH DOOR

Item# 25370

OPERATOR'S MANUAL



Read carefully and understand RULES FOR SAFE OPERATION and instructions before operating. Failure to follow the safety rules and other basic safety precautions may result in serious personal injury.

Please read and save these instructions. Read through this owner's manual carefully before using product. Protect yourself and others by observing all safety information, warnings, and cautions. Failure to comply with instructions could result in personal injury and/or damage to product or property. Please retain instructions for future reference.

ECONOMY CABINET WITH DOOR

Description

Economy welding cabinet provides an integrated all-in-one solution for portable welder and a gas cylinder combination. Designed for welder to sit on the 21.2" X 13" area on top and holds up to 7 1/2" diameter shielding gas cylinders. Side hooks hold cables, helmets or MIG gun. The door is 12.2" X 10.5" and designed for a helmet, angle grinder, drill, contact tips, nozzles, and other smaller items. 6" X 1.15" rear wheels and 2.5" X 1" front casters for ease of movement.



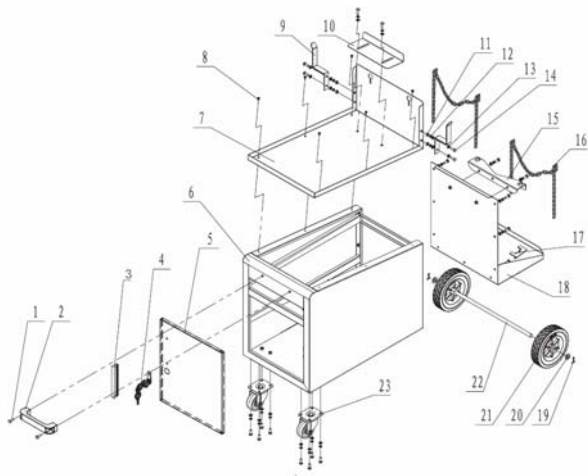
Specifications

Item	Specification
Packing Dimension (LXWXH) inch	26.8 X 16.5 X 22
Product Dimension (LXWXH) inch	33.2 X 18.5 X 25.5
Packing weight	50lbs
Net weight	42lbs
Capacity, lbs	150lbs

Assembly

- 1.1 Remove cart pieces from carton, bags or foam.
- 1.2 Check the contents with parts list to make sure all components are inside
- 1.3 Take parts out of the cabinet DOOR
- 1.4 Install handle
- 1.5 Install gas cylinder holder
- 1.6 Install the top shelf of the welding cabinet
- 1.7 Lay cabinet down on its side to install the casters and back wheels
- 1.8 Stand the cabinet up and adjust the stop on the top shelf according to the machine length
- 1.9 Insert the retention chain on the back of the panel for holding the gas cylinder
- 2.0 The assembly is completed

ECONOMY CABINET WITH DOOR



Spare Parts List

Reference number	Description	Part number	Qty
1	Hex bolt M6*25	2.06.01.925	2
2	Handle	2.05.08.031	1
3	Pull handle of the door	2.02.15.016	1
4	Door latch	2.08.09.989	1
5	Door	1.1.01.05.2467	1
6	Frame	1.1.01.04.0393	1
7	Top shelf	1.1.01.01.0354	1
8	Nut T4.2*9.5	2.06.03.505	6
9	Hanger	1.1.02.01.1945	2

ECONOMY CABINET WITH DOOR

10	Chain holder	1.1.02.01.8154	1
11	Hex nut M6	2.06.14.644	6
12	Spring washer 6	2.06.18.016	27
13	Washer 6	2.06.17.017	29
14	Hex bolt M6*16	2.06.01.922	25
15	Gas cylinder holder	1.1.02.01.1945	1
16	Chain 3*700	2.01.29.021	2
17	Wheel axle holder	1.1.01.05.0098	2
18	Gas cylinder holder	1.1.02.01.8133	1
19	Pin 2.5*25	2.06.21.001	2
20	Washer 12	2.06.17.007	2
21	Back Wheel 150	1.1.02.01.1944	2
22	Axle 12*416	1.1.03.01.1491	1
23	Castor 2.5 inch	2.05.07.316	2